

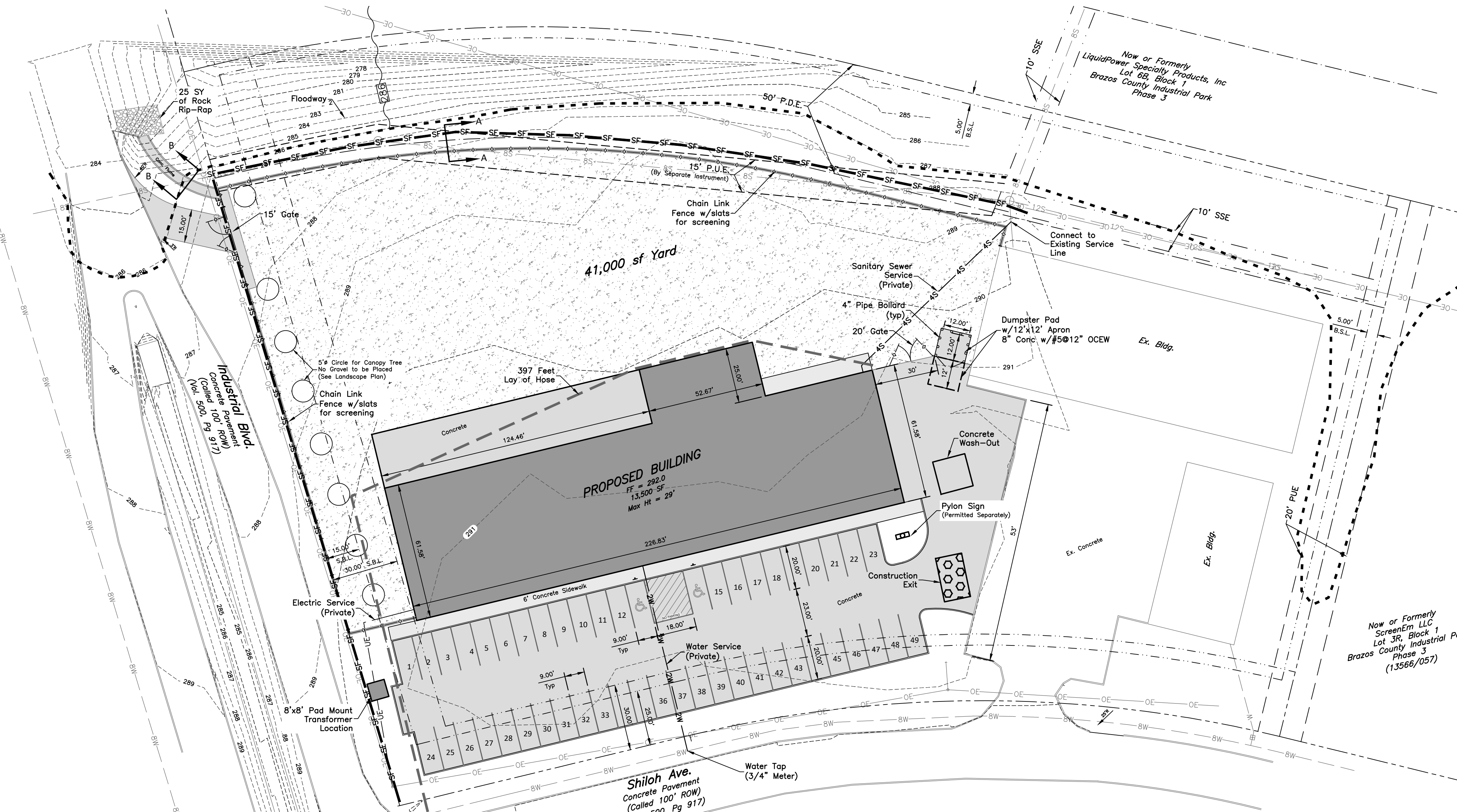
VICINITY MAP



ISSUED FOR BIDDING AND CONSTRUCTION
 Revised 2023-11-15 per City Comments
 Revised 2023-11-22 per City Comments

SITE PLAN NOTES:

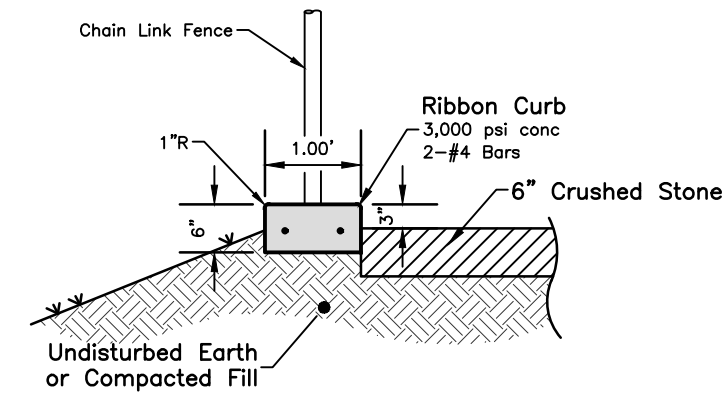
- This property is zoned Planned Development (PD) per ordinance 1385
 - Owner & Applicant: HPAM Capital Partners
 - Proposed Use: Sign and Apparel Fabrication and Production
 - The total site area 3.28 acres
 - BUILDING USAGE DETAILS:**
 Industrial = 13,500 sf
 - PARKING ANALYSIS:**
 1 parking space per 900 Warehouse/Fabrication (13,200 sf / 900) = 15
 1 parking space per 300 Office (200 sf / 300) = 1
- | | |
|---|------------------|
| Required Parking Spaces: | 16 spaces |
| Parking Spaces Lost from Adjacent Property: | 12 spaces |
| Total Required: | 28 spaces |
| Parking Spaces Provided: | 49 spaces |
| Total Parking Lot Spaces: | 28 spaces |
| Handicap Spaces Required: | 2 spaces |
| Total Handicap Spaces Provided: | 2 spaces |
- WATER AND SANITARY SEWER DEMANDS:** (The proposed addition will utilize the existing water/sewer lines from the existing building)
 Average Daily Use = 3.5 GPM
 Peak Hourly Flow = 14 GPM
 Wastewater Flow (Rate of Return = 75%): Pk = 10.5 GPM Avg. = 2.62 GPM (5,040 GPD)
 - BASIS OF BEARINGS:** The bearing system and actual measure distance to the monuments are Grid North, Texas State Plane Coordinate System, Central Zone, NAD83 per GPS Observation.
 - According to the Flood Insurance Rate Maps for Brazos County, Texas and Incorporated Areas, Map Number 4804100195E, Map Revised May 16, 2012, and by LOMR dated July 7, 2014, a portion of this property is located in a Special Flood Hazard Area.
 - See Site Civil drawings for additional grading, layout information, Utility layout and Stormwater Pollution Prevention Plan.
 - Irrigation system to be installed by others. Irrigation system must be protected by either a Pressure Vacuum Breaker, a Reduced Pressure Principle Back Flow Device, or a Double-Check Back Flow Device.
 - All Backflow devices must be installed and tested upon installation.
 - The City shall not be responsible for repairs to parking lot lights or retaining walls that are located in existing utility easements should maintenance/replacement of their associated utilities be deemed necessary.
 - Contractor shall provide one (1) week advance notice to City prior to connecting to existing waterlines and shall coordinate the water line connections with the Utility Dept. and City Inspector.
 - Signage will be permitted separately.
 - NOTE: Demolition/Construction Waste** - Site is required to provide containment for waste prior to and during demolition/construction. Solid waste roll off boxes and/or metal dumpsters shall be supplied by City or City permitted contractor(s) only.
 - The contractor shall be responsible for the containment and proper disposal of all liquid and solid waste associated with this project. The contractor shall use all means necessary to prevent the occurrence of windblown litter from the project site.
 - Solid waste for the site will utilize dumpster in laydown yard as shown. Enclosure not shown. The site will be screened with slats in chain link fence around the perimeter of the site.
 - Where electric facilities are installed, BTU has the right to install, operate, relocate, construct, reconstruct, add to, maintain, inspect, patrol, enlarge, repair, remove and replace said facilities upon, over, under, and across the property included in the PUE to access electric facilities.
 - Outdoor storage areas to be screened with slats placed in Chain Link Fence around perimeter of yard.



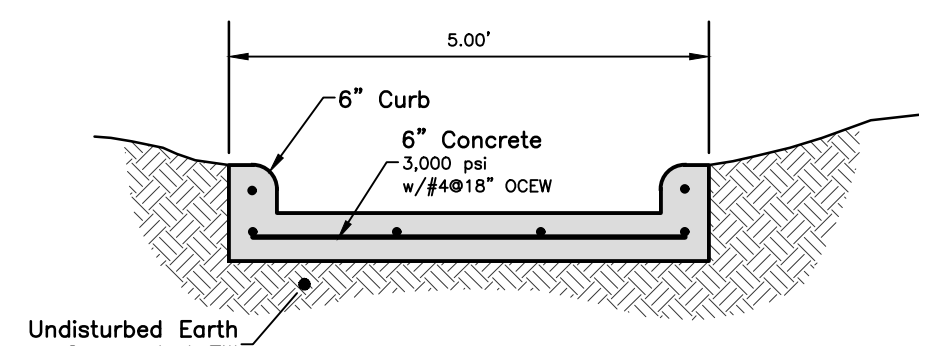
SITE PLAN

SCALE: Hor: 1" = 30'

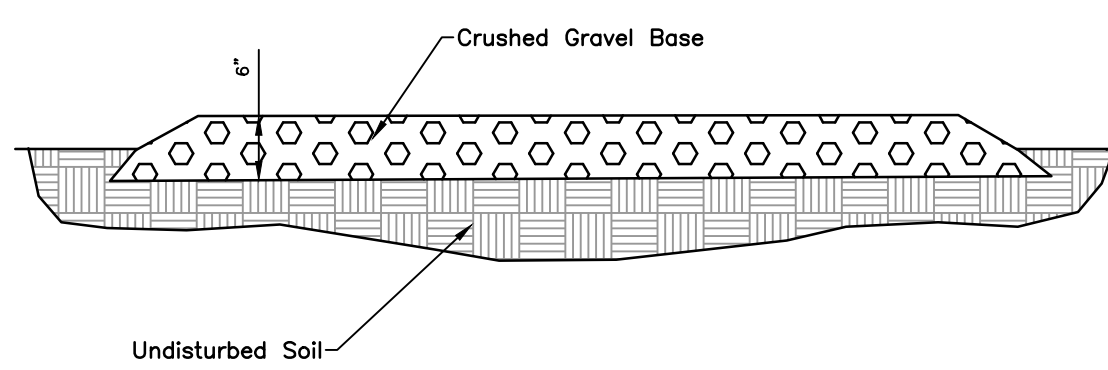
CURVE	DELTA	RADIUS	LENGTH	TANGENT	CHORD BRG.	CHORD DIST.



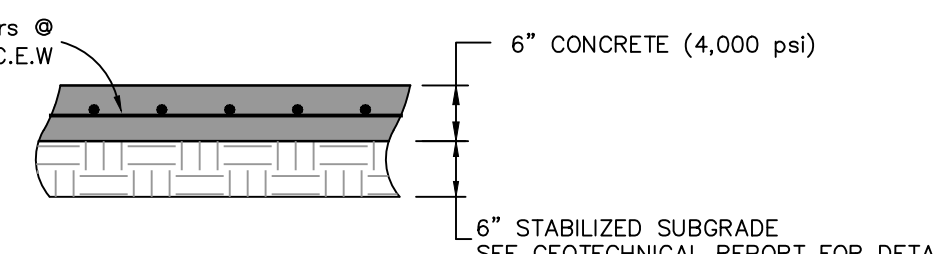
SECTION A-A



SECTION B-B



TYPICAL GRAVEL CROSS SECTION



TYPICAL CONCRETE CROSS SECTION

SWPPP Information

Nature of Construction Activity
 Street, drainage, and utility improvements for residential subdivision development. Potential pollutants and sources - Sediment from excavations and equipment movements around the site.

Schedule of Events

- Install silt fencing.
- Install stabilized construction exit.
- Clear and grub.
- Rough grading.
- Install utilities.
- Construct roadways.
- Complete grading and install permanent seeding.
- When all construction activity is completed and the site is stabilized, remove silt fence and re-seed any areas disturbed during construction and assure a healthy ground cover.

Areas of Disturbance

During the construction of pavement, drainage, and utility improvements the entire lot will be disturbed.

Structural Controls

Temporary stabilization ~ areas where construction activity temporarily ceases for at least 21 days will be stabilized with temporary seed no later than 14 days from the last construction activity in that area. All proposed fill material will be seeded.

Silt fence and/or hay bales will be installed at all outfalls, areas where water runs off the site, inlets under construction will have silt fencing or hay bales placed around the perimeter of the inlet or constructed inlets will have sandbags placed in front of the throat to collect sediment but allow flow of water into the inlet.

Storm Water Management

Storm water drainage will be controlled by existing grass-lined drainage ditches. All areas affected by construction will be fine graded and have permanent seeding. The remainder of the area will remain in its natural state.

Offsite Vehicle Tracking

A stabilized construction exit(s) will be established as shown on the plan to help reduce vehicle tracking of sediments. The paved street adjacent to the site exit will be swept to remove any excess mud, dirt, or rock tracked from the site. Dump trucks hauling material from the construction site will be covered with a tarpulin.

Certification of Compliance with State and Local Regulations

This stormwater pollution prevention plan reflects the city's/state's requirements for storm water management, erosion, and sediment control. To ensure compliance, this plan was prepared in accordance with the city's drainage policy.

GENERAL CONSTRUCTION NOTES:

- It shall be the responsibility of the Contractor to verify the exact location of all existing underground utilities. Furthermore, the Contractor shall contact all utility company representatives a minimum of 48 hours in advance of any excavation.
 A. Contact Texas811 @ 811
 B. Contact City of Bryan Water Services @ 979-209-5900 to locate public water and sewer lines.
- Construction within Public Right-of-Ways and easements must equal or exceed the BCS Unified Technical Specification and Standard Construction Details. All inspections shall be coordinated with the staff of the City Engineer of Bryan.
- In lieu of using the construction materials indicated in these plans, the Contractor shall obtain written approval from the Engineer for any substitution.
- Trench Safety Requirements shall be in accordance with O.S.H.A. Standard 29 CFR Part 1926 Subpart P.
- TRENCHING AND BACKFILLING:** The backfilling of all trenches within structural areas shall be accomplished with cement stabilized sand placed to within 6" of paving sub-grade. The backfilling of all trenches outside of structural areas shall be placed so as to achieve 85 percent Modified Proctor Density. All backfilling shall be between optimum and 4 percent (4%) above optimum moisture content. Testing shall be provided by a certified laboratory at the Owner's expense to verify these standards. Any retesting due to substandard work shall be at the expense of the Contractor. Structural areas shall include all sidewalks and paved areas. For streets, alleys and parking areas, the limits of the structural areas shall extend 5' beyond the curb lines or other paved areas.
- It is the responsibility of the contractor to comply with all State and Federal Regulations regarding construction activities near energized overhead power lines. Additionally, the contractor shall coordinate all proposed work and procedures with the Bryan Texas Utilities (BTU).
- Where a contradiction between plans and specifications occur, the plans shall be ruled as superior.
- Trenches may be left open overnight if properly barricaded to prevent pedestrian access.
- It shall be the responsibility of the Contractor to prepare and maintain a SWPPP and submit a Small Construction Site Notice and coordinate with City Staff. Disturbed Area ~2.6 acres.
- Contractor shall adjust all existing manholes and valve boxes to final grades. There will be no separate pay item for this work.
- Refer to Architectural Plans for top of finished light pole foundation elevations.
- Construction of any fire lines will comply with current NFPA 24 standards.

Legend

- = 1/2" Iron Rod Set
- = 1/2" Iron Rod Found
- ⊗ = 5/8" Iron Rod Found
- 85 — Existing Sewer Line w/ size
- SW — Existing Water Line w/ size
- 85 — Proposed Sewer Line w/ size
- 85 — Proposed Water Line w/ size
- 60 — Existing Gas Line w/ size
- OE — Existing Overhead Electric Line
- G — Guy Anchor

Abbreviations

- D.E. Drainage Easement
- D.D.F.E. Drainage Detention Facility Easement
- D.R. Brazos County Deed Records
- E.A.E. Emergency Access Easement
- F.H. Fire Hydrant
- O.R. Brazos County Official Records
- P.A.E. Public Access Easement
- P.R. Brazos County Plat Records
- P.R.A. Public Utility Easement
- R.O.W. Right-of-Way
- U.E. Utility Easement
- P.R.A.E. Private Access Easement
- S.D. Storm Drain
- P.L.E. Private Landscape Easement
- F.D.C. Fire Department Connection

GENERAL EROSION CONTROL NOTES:

- It is the responsibility of the Contractor to prepare and maintain a Storm Water Pollution Prevention Plan in accordance with the Bryan/College Station Unified Stormwater Design Guidelines and EPA requirements for storm water discharges associated with construction activity under General Permit, USACE 33 CFR, & Section 404 of the Clean Water Act, & Texas Pollutant Discharge Elimination System (TPDES) General Permit No. TXR150000 as administered by the Texas Commission on Environmental Quality (TCEQ).
- The Contractor shall not allow sediment to leave the work area or enter any adjoining channels. Additional measures to those shown on this plan and described in these notes may be required to prevent sediment from leaving the work area. The contractor shall be responsible for clean-up and restoration to original condition, including establishment or re-vegetation of any lands or channels affected should construction sediment be found outside of limits of construction work.
- All disturbed areas are to have establishment of grass as outlined below. Contractor is responsible for watering, maintenance and establishment of grass for a period of 90 days beyond project acceptance. Contractor to guarantee all planted material growth and coverage for a period of 6 months. Growth and coverage shall be defined as 100% of the planted area with uniform coverage of grass greater than 1" in height with no bare spots greater than 2 square feet. A second application of fibermulch is required for bare spots not meeting coverage requirement within 60 days of initial application. Areas adjacent to the building and within the development to receive block sodding and/or landscaping are not included in this requirement.
- Contractor is to maintain erosion control throughout duration of the project such that all work areas are to plan grades once vegetation is established. Inure sediment is not transported downstream from project via hay bales or silt fence installation. If erosion is observed in the field, additional erosion controls shall be installed.
- Silt fencing is to be installed per detail. In lieu of silt fencing, contractor may use straw bale barriers or continuous extruded fabric berm filled with 3/4" gravel upon approval of the engineer. Sediment to be cleaned from silt fencing or other sediment control devices when depth of sediment reaches ±1/3 total height of device. Contractor is to insure erosion control devices are consistently installed and properly maintained.

NOI & NOT INFORMATION:

The site is approximately 1.95 acres and is located at the northeast corner of Shiloh Ave and Industrial Blvd. in Bryan, Texas. The site is located at North Latitude 30°36'54" and West Longitude 96°24'10". The site activity will consist of the construction of a new building for an expansion to the existing school facilities. The only source of pollution is the erosion of exposed soil. Stormwater from the site flow into Cottonwood Branch. The Contractor is responsible for containing all sediment on-site by utilizing siltation control devices, washdown areas, or seeding and sodding applications. It is the responsibility of the Contractor to utilize whatever techniques that are necessary to prevent erosion from this construction.

Site Plan

1516 Shiloh Ave.

3.28 AC.
 Lot 5, Block 1
 Brazos County Industrial Park Ph 3
 (Vol. 500, Pg. 917)
 BRYAN, BRAZOS COUNTY, TEXAS

April 2023
 SCALE: 1"=30'

Owner:
 HPAM Capital Partners
 2700 George Bush E. #270
 College Station, TX 77840

Engineer:
 McClure & Browne Engineering/Surveying, Inc.
 1008 Woodcreek Dr., Suite 103
 College Station, Texas 77845
 (979) 693-3838
 Firm Reg. No. F-458

MB